

**RUGGED  MONITORING**  
MONITORING SIMPLIFIED



# T501 SMART TRANSFORMER MONITOR

ROBUST | RELIABLE | RESPONSIVE

# T501 MONITORING FUNCTIONS

Real Time Monitoring and Advance Control

FUNCTIONALITY

## Direct Winding Hot Spot

- HV Winding
- LV Winding
- MV Winding
- Core Hot Spot

## Bushing Monitoring Integration

- Leakage Current
- TanDelta
- Power Factor
- Capacitance

## Partial Discharge (PDM) Integration

- PD Amplitude
- PD Discharge Rate
- PD Trend

## Cooling Control

- Fan/Pump Status
- Fan Bank Motor Current
- Cooling Efficiency
- Fan bank Exercise

## Dissolved Gas analyzer Integration

- Single gas DGA
- Multi-gas DGA
- Moisture



## Transformer Health Assessment

- Remote Monitoring and Control
- Insulation Life Estimation
- Overload Capacity
- Bubbling Temperature
- Moisture in Insulation
- Real time Alarm and Notifications
- Easy Integration

## Transformer Monitoring

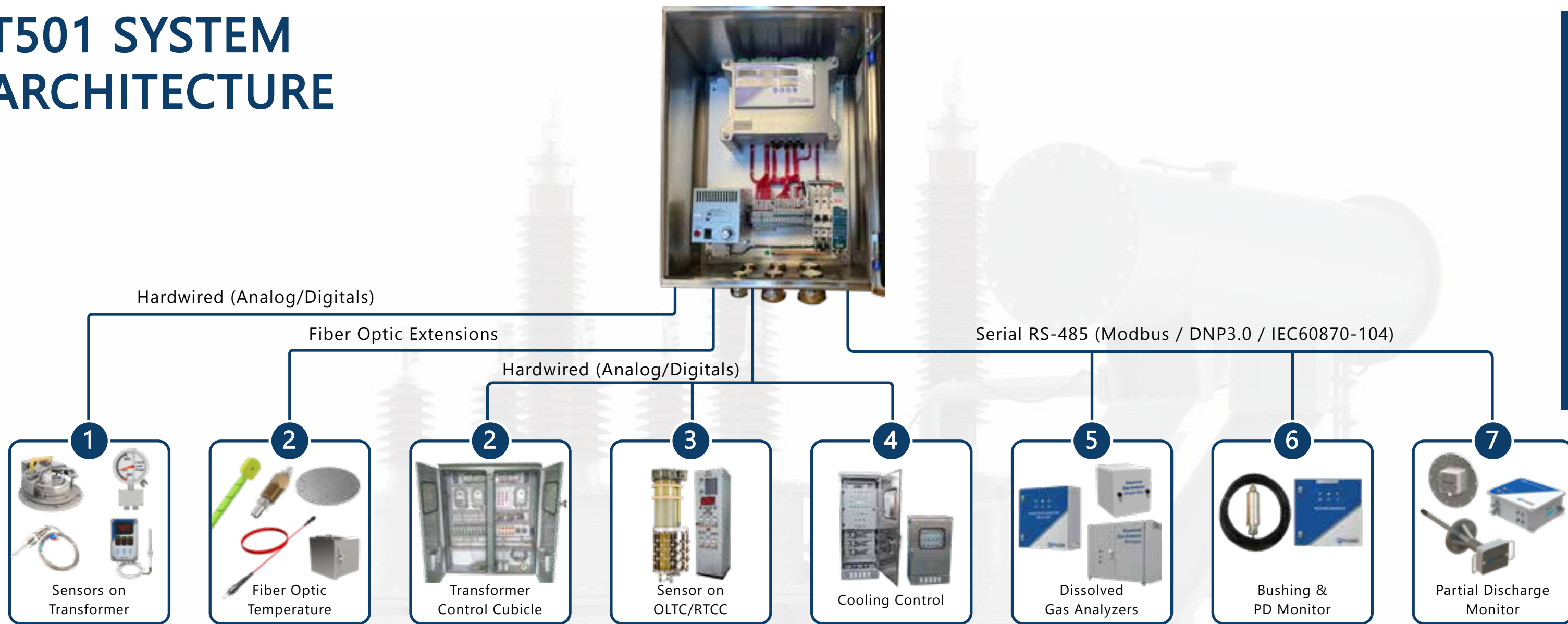
- Oil Temperature
- Winding Temperature
- Load Current
- OLTC Tap Position
- Liquid Level
- Tank Pressure

## OLTC Monitoring

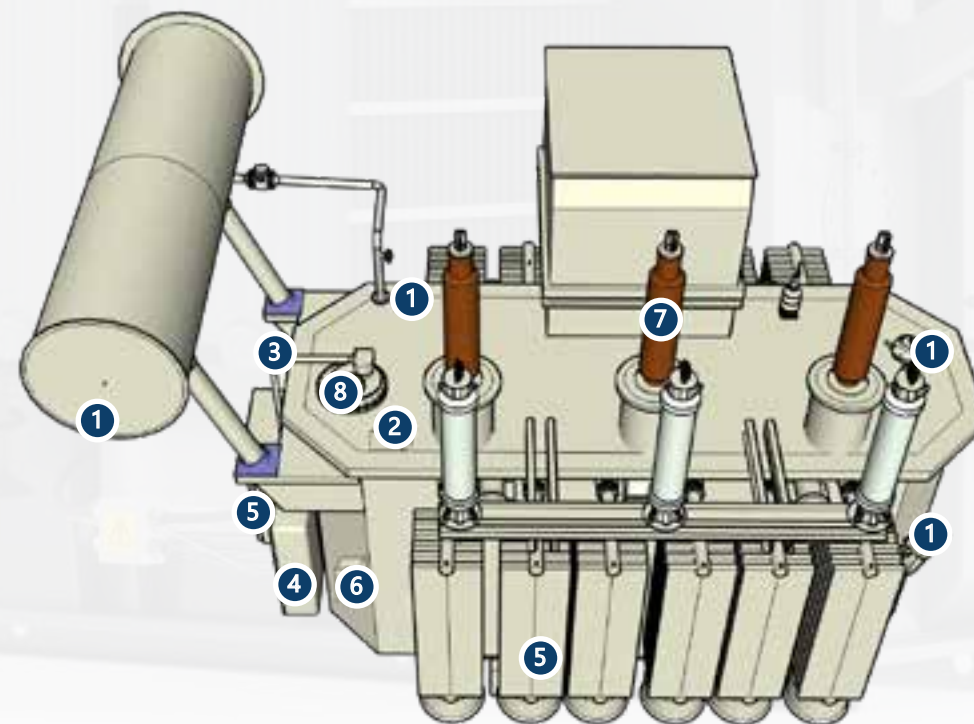
- Oil Temperature
- Oil Level
- OLTC Tap Position
- OLTC Motor Current
- Contact Wear

RUGGED SOFTWARE

# T501 SYSTEM ARCHITECTURE



1. OTI,WTI, RTD, PRD, Breather, Buchholz Relay, LLG/OLI, Pressure Sensor etc.
2. Direct winding Hot Spot Monitor
3. Transformer Control Cubicle
4. OLTC and RTCC Panel
5. Cooling System and Control Cabinet
6. Dissolved Gas Analyzer
7. Bushing Monitoring
8. Partial Discharge Monitor



### Certifications

- ATEX
- Lloyds
- CE / RoHs

### Variants

- Offshore / Marine
- Ethernet Redundancy: PRP
- Enterprise Monitoring Software

# T501 FEATURES

Comprehensive Features to Meet Market Demand

## RELAY OUTPUTS

- 08 x Form C Relay contacts
- NO-C-NC
- Cooling control
- Alerts / Alarms

## POWER INPUT

- 24 / 48 Vdc
- Power Supply Unit / Adaptor provided as Accessories (OPTIONAL)

## ANALOG OUTPUTS

- 04 x User Programmable
- Current Output (4-20mA)
- Voltage Output (0-5V/0-10V)

## ANALOG / DIGITAL INPUTS

- 08 x Configurable Inputs
- RTD (PT-100), Potentiometer
- AC Current (Clamp-On CT), DC current (4-20mA)
- Digital (Dry Contacts)

## ETHERNET PORTS

- 02 x configurable Ports (RJ-45/SFP)
- Full Redundancy
- PRP Protocol
- Modbus, DNP3.0, IEC60870-104 and IEC 61850

## SERIAL PORT (R485)

- Data Input/output Integration
- Modbus Protocol
- DNP3.0 Protocol
- IEC60870-104 Protocol

## USB PORT

- Configuration & Troubleshooting
- Data Export
- MicroSD Card

## LED INDICATORS

- Power ON/OFF
- System Fault
- Alarm & Log

## LOCAL DISPLAY

- Industrial Grade LED
- Current Values of all Parameters

## FIBER OPTIC CHANNELS

- Up to 24 FO Temperature Inputs
- GaAs based technology
- Built-In Self Test feature
- Higher Signal Strength

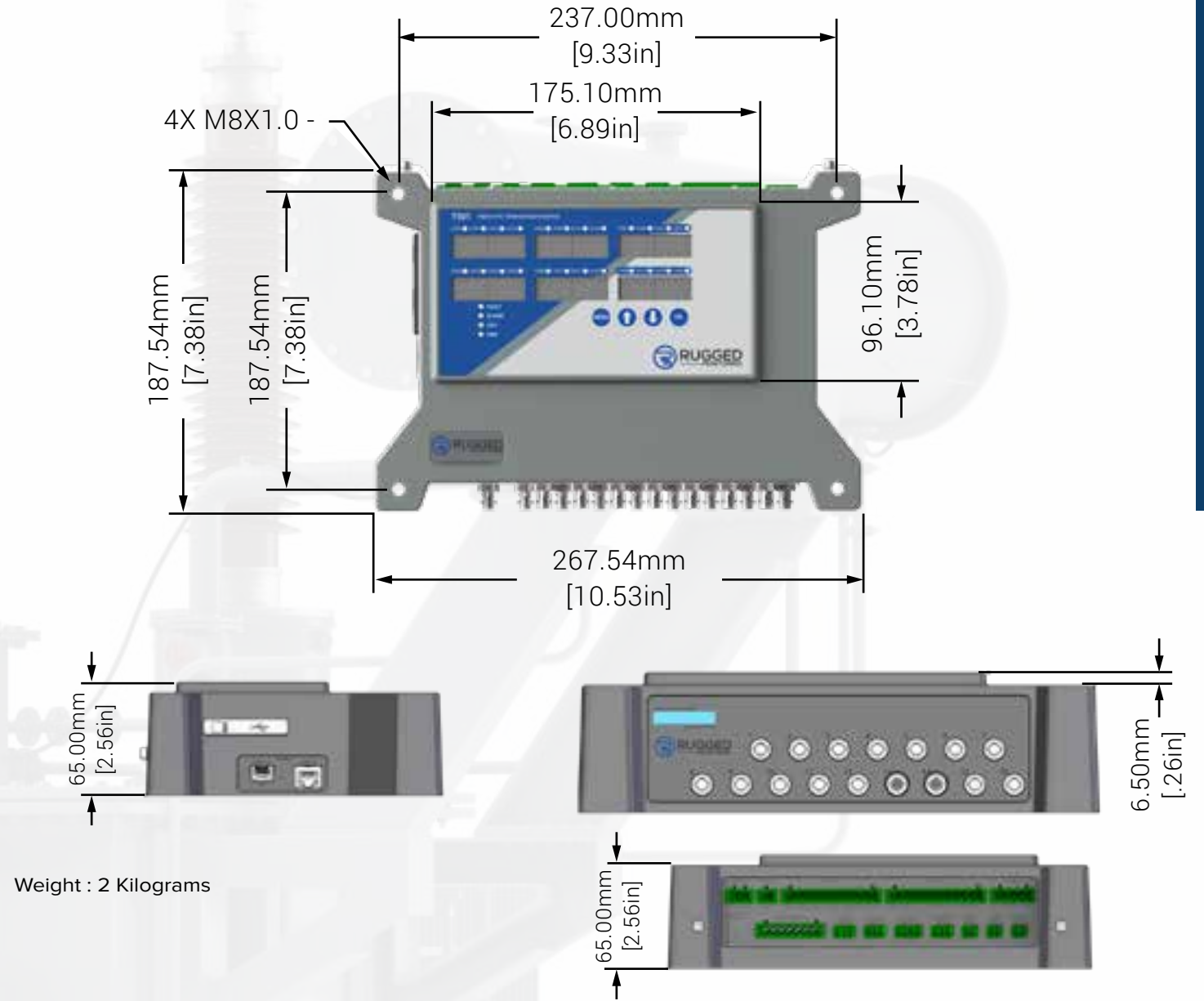
## RUGGED CONNECT SOFTWARE

- Desktop and Web Client
- Remote Configuration
- Advanced Visualization
- Data Logging, Reporting
- Supports Industry Standard Protocols
- Customization available on request
- Secure access to data & Configuration
- Multiple Language Support

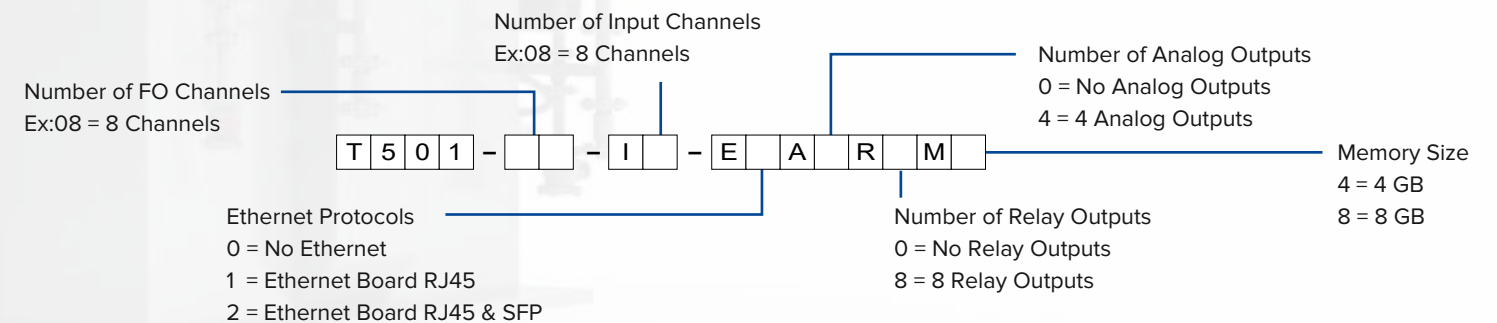
# TECHNICAL SPECIFICATIONS

<b>POWER SUPPLY</b>	Input Power Requirement	24/48 VDC ± 10%
	Power Consumption	20 Watts
<b>ANALOG/DIGITAL INPUT MODULE</b>	# of Input Channels	08/04 Channels
	Input Channel Types	Configurable from a range of input options, RTD, AC/DC current, Potentiometer, Dry contact switch
	Accuracy of Channels	±0.5% full scale input range
	Input Channel Sample Rate	1 Hz
<b>FIBER OPTIC MODULES</b>	Measurement Range	-80 °C to +300 °C (cryogenic 4 °K range optional)
	Resolution	0.1 °C
	Accuracy	±1.0 °C (±0.2 °C in relative temperature)
	Scan Rate	200 ms / channel ( Optional: Faster scanning rates available)
	Number of Channels	2 to 24 channels
<b>ANALOG OUTPUT MODULE</b>	# of Output Channels	04 Channels
	Output format	4-20 mA or 0-5Vdc / 0-10Vdc (Configurable for any measured / calculated value)
<b>OUTPUT RELAY MODULE</b>	# of Output Channels	08 Form C relays (5A)
	User Programmable	Yes, from Rugged Connect Software or webserver, if present
<b>DATA STORAGE &amp; CONFIGURATION</b>	Data Storage Capacity	4 or 8 GB, Industrial Grade micro-SD, extendable to 2TB
	Logging Rate	User Configurable, 1 sec interval on USB
	System Fault Indication	1 System Fault Relay, with Local LED light
	Config port	USB (to use with Rugged connect windows software)
<b>COMMUNICATION</b>	Serial Communication	01 x RS-485 (RS-232 optional converter)
	Ethernet Communication	02 Ethernet Ports, configurable to RJ-45 or SFP (Gigabit Optical)
	Redundancy	Support PRP Redundancy
	Protocol Supported	Modbus, DNP3.0, IEC60870-104, IEC61850, Other protocols provided on request
<b>EMC TYPE TESTING</b>	Conducted & Radiated Emissions	ICES-003 (2016), CISPR32 (2015), CISPR11 (2015)
	ESD and EM Field Immunity	IEC61000-4-2, C37.90-3, IEC61000-4-3, C37.90.2
	Fast Transient & Surge Immunity	IEC61000-4-4, IEC61000-4-5, C37.90.2
	Magnetic Field Immunity	IEC61000-4-8, IEC61000-4-10
	Immunity from Conducted Disturbances	IEC61000-4-6, IEC61000-4-16
	Ripple, Dips & Damped Oscillatory	IEC61000-4-17, IEC61000-4-18, IEC61000-4-29
	Safety	IEC60255-26 and CE Certified
<b>ENVIRONMENTAL AND MECHANICAL</b>	Operating Temperature	-40 to 72 °C
	Operating Humidity	95% Non Condensing
	Storage Temperature	-40 to 85 °C
	Dimensions	W26.7 cm x H7.2 cm x D18.7 cm (10.5" x 2.8" x 7.4")
	Weight	App. 1.5 to 2.0 Kg. (based on number of configuration)

# PRODUCT DRAWINGS



# ORDERING CODE



DS0036R05\_T501 TrD\_EN\_A4

DRAWINGS

# RUGGED MONITORING



- Certification**
- ISO9001
- ISO14000
- ISO 45001 (OHSAS 18000)
- ISO17025 Certification
- NIST Certification
- ATEX Certification



**Website**  
[www.ruggedmonitoring.com](http://www.ruggedmonitoring.com)

## Visit us to see more

- Solutions  
<https://www.ruggedmonitoring.com/fibre-optic-temperature-solutions>
- Blogs  
<https://www.ruggedmonitoring.com/blogs/1>
- Video  
<https://www.ruggedmonitoring.com/fiber-optic-videos>
- Application Notes  
<https://www.ruggedmonitoring.com/downloads/application-notes/1>
- Software  
<https://www.ruggedmonitoring.com/downloads/dcsoftware>
- Technical Drawings  
<https://www.ruggedmonitoring.com/downloads/dctechnicaldrawings>
- Product Manuals  
<https://www.ruggedmonitoring.com/downloads/dcproductmanual>
- Ebook  
<https://www.ruggedmonitoring.com/fiber-optic-technical-ebooks>

## Social Media

- <https://www.linkedin.com/company/ruggedmon/>
- <https://www.facebook.com/ruggedmon>
- <https://www.instagram.com/ruggedmon/>
- <https://www.youtube.com/c/ruggedmonitoring>
- <https://twitter.com/ruggedmon>
- <https://in.pinterest.com/ruggedmonitoring/>
- <https://www.xing.com/companies/ruggedmonitoring>

## Rugged Monitoring Services

Rugged Monitoring provides customization of sensors, monitors & software. In addition we offer on-site commissioning services, maintenance contracts and technical support to all customers worldwide.

## About Rugged Monitoring

Industry leading team of fiber optic experts with 100+ years of combined experience committed to delivering customizable solutions for challenging applications. We offer a range of reliable, high performance, customizable sensors and monitoring solutions that are immune to external influence.

## Contact Us

### Address

1415 Frank-Carrel, Suite 230,  
Quebec, QC - G1N 4N7,  
CANADA

### Contact Details

Phone: +1-418-767-0111  
Email: [info@ruggedmonitoring.com](mailto:info@ruggedmonitoring.com)